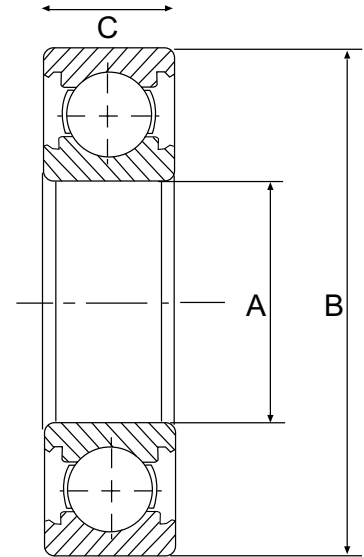
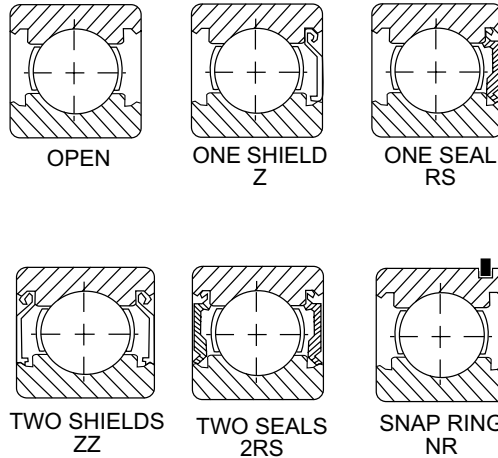


LIGHT INCH SERIES STAINLESS BALL BEARING



DESIGNATIONS	SUFFIX
Open	-
One Shield	Z
Two Shield	ZZ
One Seal	RS
Two Seals	2RS
Snap Ring	NR

Any combination of closures is available
Snap rings may be ordered with any configuration

Part Number	A (I.D.)		B (O.D.)		C (Width)		Basic Static Load (kN)	Basic Dynamic Load (kN)	Weight (kg)
	Inch (in.)	Tolerance (in.)	Inch (in.)	Tolerance (in.)	Open (in.)	Shields Seals (in.)			
SSR2	0.1250	-0.0003	0.3750	-0.0004	0.1562	0.1562	0.224	0.640	0.0013
SSR2A	0.1250	-0.0003	0.5000	-0.0004	0.1719	0.1719	0.395	1.150	0.0025
SSR3	0.1875	-0.0003	0.5000	-0.0004	0.1562	0.1960	0.490	1.310	0.0022
SSR3A	0.1875	-0.0003	0.6250	-0.0004	0.1562	0.1960	0.510	1.400	0.0030
SSR4	0.2500	-0.0003	0.6250	-0.0004	0.1960	0.1960	0.615	1.480	0.0044
SSR4A	0.2500	-0.0003	0.7500	-0.0004	0.2188	0.2812	0.885	2.340	0.0110
SSR6	0.3750	-0.0003	0.8750	-0.0004	0.2188	0.2812	1.400	3.300	0.0140
SSR8	0.5000	-0.0003	1.1250	-0.0004	0.2500	0.3125	2.072	3.934	0.0150
SSR10	0.6250	-0.0003	1.3750	-0.0005	0.2812	0.3438	2.529	4.299	0.0280
SSR12	0.7500	-0.0004	1.6250	-0.0005	0.3125	0.4375	3.845	6.090	0.0430
SSR14	0.8750	-0.0004	1.8750	-0.0005	0.3750	0.5000	4.539	7.219	0.0710
SSR16	1.0000	-0.0004	2.0000	-0.0005	0.3750	0.5000	5.179	7.721	0.0850
SSR18	1.1250	-0.0004	2.1250	-0.0005	0.3750	0.5000	5.179	8.237	0.0850
SSR20	1.2500	-0.0005	2.2500	-0.0006	0.3750	0.5000	6.472	8.606	0.0940
SSR22	1.3750	-0.0005	2.5000	-0.0006	0.4375	0.5625	10.319	15.969	0.1340
SSR24	1.5000	-0.0005	2.6250	-0.0006	0.4375	0.5625	11.565	16.770	0.1910

Please check availability of sizes. All may not be in stock.
Dimensional data is for reference only. EBC assumes no liability with respect to errors or omissions.
Technical data - Rings and Balls are 440SS, Cages and Shields are 304SS - Grease is Mobil FM102 Food Grade.

STAINLESS R SERIES

