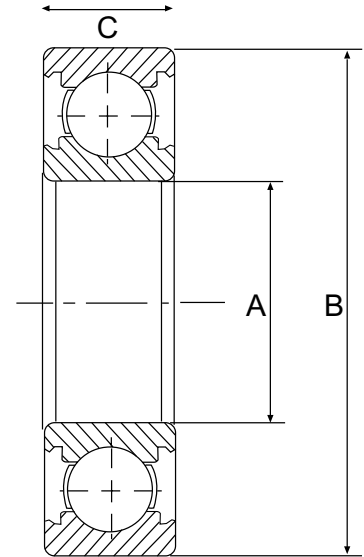
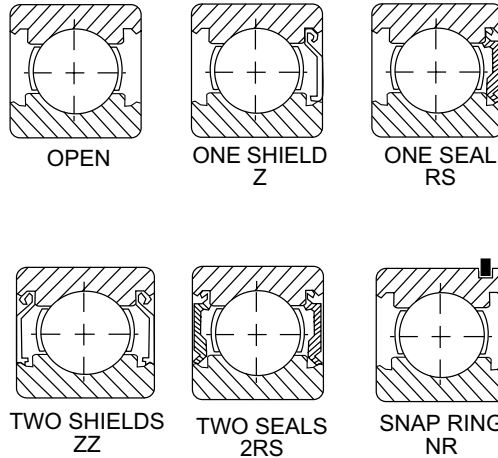


# LIGHT SERIES RADIAL STAINLESS BALL BEARING

**STAINLESS 6200 SERIES**



DESIGNATIONS	SUFFIX
Open	-
One Shield	Z
Two Shield	ZZ
One Seal	RS
Two Seals	2RS
Snap Ring	NR

Any combination of closures is available  
Snap rings may be ordered with any configuration

Part Number	A (I.D.)		B (O.D.)		C (Width)		Basic Static Load (kN)	Basic Dynamic Load (kN)	Weight (kg)
	Metric (mm)	Tolerance (µm)	Open (mm)	Tolerance (µm)	Open (mm)	Shields Seals (mm)			
SS6200	10	0/-8	30	0/-9	9	9	2.38	5.10	0.032
SS6201	12	0/-8	32	0/-11	10	10	3.05	6.82	0.035
SS6202	15	0/-8	35	0/-11	11	11	3.72	7.65	0.045
SS6203	17	0/-8	40	0/-11	12	12	4.78	9.58	0.064
SS6204	20	0/-10	47	0/-11	14	14	6.65	12.80	0.103
SS6205	25	0/-10	52	0/-13	15	15	7.88	14.00	0.127
SS6206	30	0/-10	62	0/-13	16	16	11.50	19.50	0.200
SS6207	35	0/-12	72	0/-13	17	17	15.20	25.50	0.288
SS6208	40	0/-12	80	0/-13	18	18	18.00	29.50	0.368
SS6209	45	0/-12	85	0/-15	19	19	20.50	31.50	0.416
SS6210	50	0/-12	90	0/-15	20	20	23.20	35.00	0.463
SS6211	55	0/-15	100	0/-15	21	21	29.20	43.20	0.603
SS6212	60	0/-15	110	0/-15	22	22	32.80	47.80	0.789
SS6213	65	0/-15	120	0/-15	23	23	40.00	57.20	0.990
SS6214	70	0/-15	125	0/-18	24	24	45.00	60.80	1.084
SS6215	75	0/-15	130	0/-18	25	25	49.50	66.00	1.171
SS6216	80	0/-15	140	0/-18	26	26	54.20	71.50	1.448
SS6217	85	0/-15	150	0/-18	28	28	64.00	83.00	1.870

Please check availability of sizes. All may not be in stock.  
Dimensional data is for reference only. EBC assumes no liability with respect to errors or omissions.  
Technical data - Rings and Balls are 440SS, Cages and Shields are 304SS - Grease is Mobil FM102 Food Grade.

