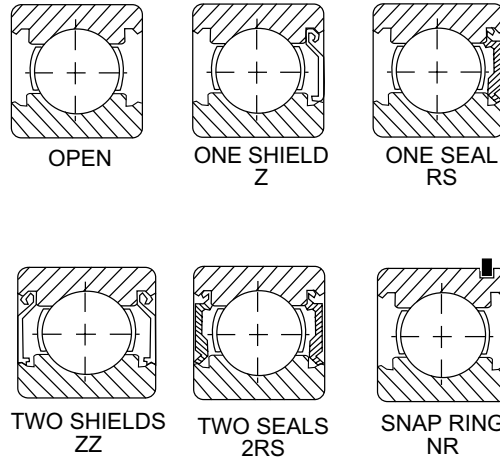
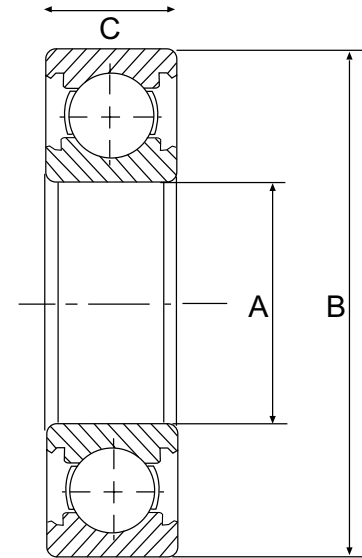


# LIGHT INCH SERIES BALL BEARING



DESIGNATIONS	SUFFIX
Open	-
One Shield	Z
Two Shield	ZZ
One Seal	RS
Two Seals	2RS
Snap Ring	NR



Any combination of closures is available  
Snap rings may be ordered with any configuration

Part Number	A (I.D.)		B (O.D.)		C (Width)		Basic Static Load (kN)	Basic Dynamic Load (kN)	Weight (kg)
	Inch (in.)	Tolerance (in.)	Inch (in.)	Tolerance (in.)	Open (in.)	Shields Seals (in.)			
R2	0.1250	-0.0003	0.3750	-0.0004	0.1562	0.1562	0.224	0.640	0.0013
R2A	0.1250	-0.0003	0.5000	-0.0004	0.1719	0.1719	0.395	1.150	0.0025
R3	0.1875	-0.0003	0.5000	-0.0004	0.1562	0.1960	0.490	1.310	0.0022
R3A	0.1875	-0.0003	0.6250	-0.0004	0.1562	0.1960	0.510	1.400	0.0030
R4	0.2500	-0.0003	0.6250	-0.0004	0.1960	0.1960	0.615	1.480	0.0044
R4A	0.2500	-0.0003	0.7500	-0.0004	0.2188	0.2812	0.885	2.340	0.0110
R6	0.3750	-0.0003	0.8750	-0.0004	0.2188	0.2812	1.400	3.300	0.0140
R8	0.5000	-0.0003	1.1250	-0.0004	0.2500	0.3125	2.072	3.934	0.0150
R10	0.6250	-0.0003	1.3750	-0.0005	0.2812	0.3438	2.529	4.299	0.0280
R12	0.7500	-0.0004	1.6250	-0.0005	0.3125	0.4375	3.845	6.090	0.0430
R14	0.8750	-0.0004	1.8750	-0.0005	0.3750	0.5000	4.539	7.219	0.0710
R16	1.0000	-0.0004	2.0000	-0.0005	0.3750	0.5000	5.179	7.721	0.0850
R18	1.1250	-0.0004	2.1250	-0.0005	0.3750	0.5000	5.179	8.237	0.0850
R20	1.2500	-0.0005	2.2500	-0.0006	0.3750	0.5000	6.472	8.606	0.0940
R22	1.3750	-0.0005	2.5000	-0.0006	0.4375	0.5625	10.319	15.969	0.1340
R24	1.5000	-0.0005	2.6250	-0.0006	0.4375	0.5625	11.565	16.770	0.1910

Dimensional data is for reference only. EBC assumes no liability with respect to errors or omissions.

**R SERIES**

