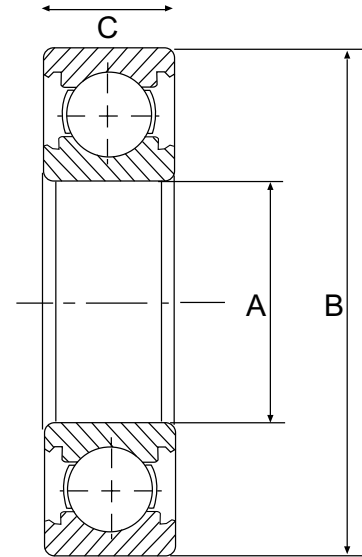
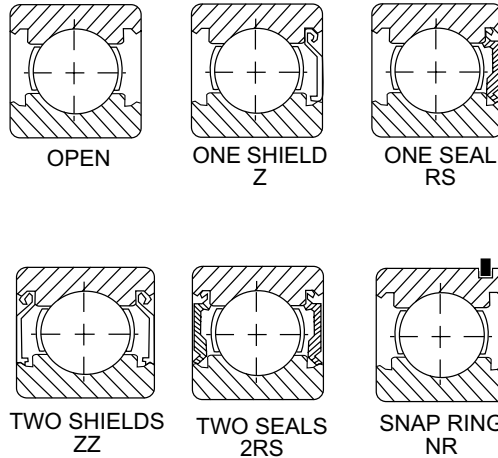


# EXTRA LIGHT INCH SERIES BALL BEARING



DESIGNATIONS	SUFFIX
Open	-
One Shield	Z
Two Shield	ZZ
One Seal	RS
Two Seals	2RS
Snap Ring	NR

Any combination of closures is available  
Snap rings may be ordered with any configuration

Part Number	A (I.D.)		B (O.D.)		C (Width)		Basic Static Load (kN)	Basic Dynamic Load (kN)	Weight (kg)
	Inch (in.)	Tolerance (in.)	Open (in.)	Tolerance (in.)	Open (in.)	Shields Seals (in.)			
1601	0.1875	-0.0005	0.6875	-0.0005	0.250	0.250/.312	0.578	1.2802	0.0041
1602	0.2500	-0.0005	0.6875	-0.0005	0.250	0.250/.312	0.578	1.2802	0.0064
1603	0.3125	-0.0005	0.8750	-0.0005	0.281	0.280/.344	0.916	1.9248	0.0095
1604	0.3750	-0.0005	0.8750	-0.0005	0.281	0.280/.344	0.916	1.9248	0.0086
1605	0.3125	-0.0005	0.9062	-0.0005	0.312	0.312	0.845	1.5558	0.0168
1606	0.3750	-0.0005	0.9062	-0.0005	0.312	0.312	0.845	1.5558	0.0218
1607	0.4375	-0.0005	0.9062	-0.0005	0.312	0.312	0.845	1.5558	0.0222
1614	0.3750	-0.0005	1.1250	-0.0005	0.375	0.375	1.556	2.9517	0.0349
1615	0.4375	-0.0005	1.1250	-0.0005	0.375	0.375	1.556	2.9517	0.0322
1616	0.5000	-0.0005	1.1250	-0.0005	0.375	0.375	1.556	2.9517	0.0299
1620	0.4375	-0.0005	1.3750	-0.0005	0.437	0.437	2.417	3.9163	0.0454
1621	0.5000	-0.0005	1.3750	-0.0005	0.437	0.437	2.417	3.9163	0.0481
1623	0.6250	-0.0005	1.3750	-0.0005	0.437	0.437	2.417	3.9163	0.0399
1628	0.6250	-0.0005	1.6250	-0.0005	0.500	0.500	2.921	5.0009	0.0721
1630	0.7500	-0.0005	1.6250	-0.0005	0.500	0.500	2.921	5.0009	0.0649
1633	0.6250	-0.0005	1.7500	-0.0005	0.500	0.500	2.921	5.0009	0.0921
1635	0.7500	-0.0005	1.7500	-0.0005	0.500	0.500	2.921	5.0009	0.0848
1638	0.7500	-0.0005	2.0000	-0.0006	0.562	0.562	4.534	7.4681	0.1202
1640	0.8750	-0.0005	2.0000	-0.0006	0.562	0.562	4.534	7.4681	0.1120
1641	1.0000	-0.0005	2.0000	-0.0006	0.562	0.562	4.534	7.4681	0.1002
1652	1.1250	-0.0005	2.5000	-0.0006	0.625	0.625	6.370	9.6081	0.2100
1654	1.2500	-0.0005	2.5000	-0.0006	0.625	0.625	6.370	9.6081	0.1901

Dimensional data is for reference only. EBC assumes no liability with respect to errors or omissions.

