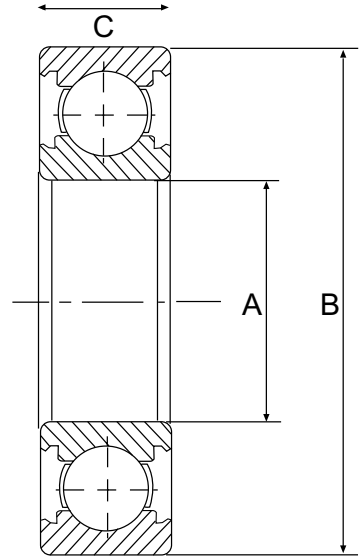
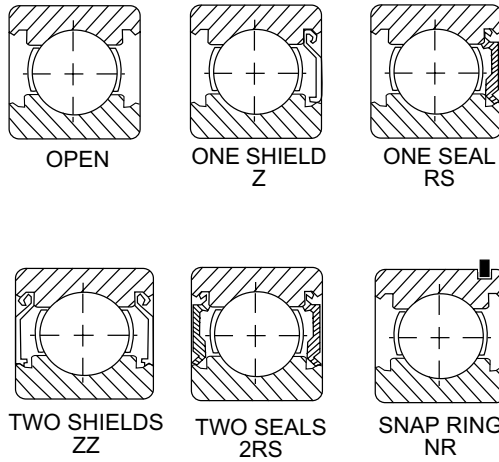


EXTRA SMALL SERIES RADIAL BALL BEARING



DESIGNATIONS	SUFFIX
Open	-
One Shield	Z
Two Shield	ZZ
One Seal	RS
Two Seals	2RS
Snap Ring	NR

Any combination of closures is available
Snap rings may be ordered with any configuration

Part Number	A (I.D.)		B (O.D.)		C (Width)		Basic Static Load (kN)	Basic Dynamic Load (kN)	Weight (kg)
	Metric (mm)	Tolerance (µm)	Open (mm)	Tolerance (µm)	Open (mm)	Shields Seals (mm)			
623	3	0/-8	10	0/-8	4	4	0.2200	0.6500	0.0022
624	4	0/-8	13	0/-8	5	5	0.4000	1.1500	0.0000
634	4	0/-8	16	0/-8	5	5	0.6800	1.8800	0.0050
685	5	0/-8	11	0/-8	3	5	0.2548	0.6174	0.0011
625	5	0/-8	16	0/-8	5	5	0.4400	1.3200	0.0040
635	5	0/-8	19	0/-9	6	6	1.0200	2.8000	0.0080
686	6	0/-8	13	0/-8	3.5	5	0.3920	1.0290	0.0019
626	6	0/-8	19	0/-9	6	6	1.0400	2.8000	0.0080
687	7	0/-8	14	0/-8	3.5	5	0.4410	1.1172	0.0021
607	7	0/-8	19	0/-9	6	6	1.0400	2.5500	0.0080
627	7	0/-8	22	0/-9	7	7	1.3700	3.2500	0.0100
688	8	0/-8	16	0/-8	4	5	0.6174	1.5288	0.0031
608	8	0/-8	22	0/-9	7	7	1.3700	3.2500	0.0150
628	8	0/-8	24	0/-9	8	8	1.3700	3.2500	0.0170
689	9	0/-8	17	0/-8	4	5	0.6860	1.6464	0.0032
609	9	0/-8	24	0/-9	7	7	1.6300	3.6500	0.0130
629	9	0/-8	26	0/-9	8	8	1.3700	3.2500	0.0190

Dimensional data is for reference only. EBC assumes no liability with respect to errors or omissions.

600 SERIES

