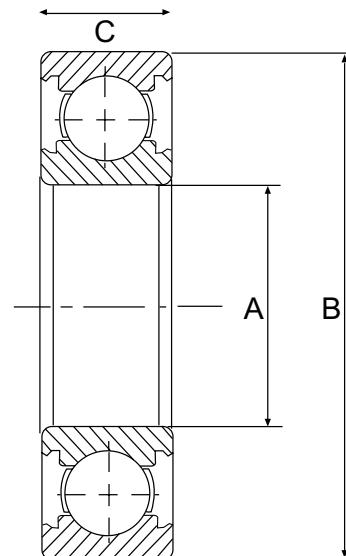
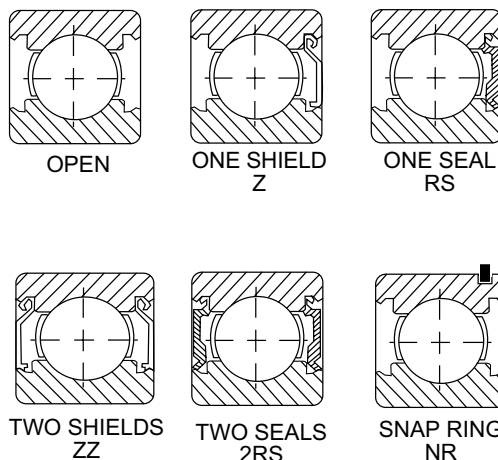


EXTRA LIGHT SERIES RADIAL BALL BEARING



DESIGNATIONS	SUFFIX
Open	-
One Shield	Z
Two Shield	ZZ
One Seal	RS
Two Seals	2RS
Snap Ring	NR

Any combination of closures is available
Snap rings may be ordered with any configuration

Part Number	A (I.D.)		B (O.D.)		C (Width)		Basic Static Load (kN)	Basic Dynamic Load (kN)	Weight (kg)
	Metric (mm)	Tolerance (µm)	Open (mm)	Tolerance (µm)	Open (mm)	Shields Seals (mm)			
6000	10	0/-8	26	0/-9	8	8	1.98	4.58	0.019
6001	12	0/-8	28	0/-9	8	8	2.38	5.10	0.022
6002	15	0/-8	32	0/-11	9	9	2.85	5.58	0.031
6003	17	0/-8	35	0/-11	10	10	3.25	6.00	0.040
6004	20	0/-10	42	0/-11	12	12	5.02	9.38	0.068
6005	25	0/-10	47	0/-11	12	12	5.85	10.00	0.078
6006	30	0/-10	55	0/-13	13	13	8.30	13.20	0.110
6007	35	0/-12	62	0/-13	14	14	10.50	16.20	0.148
6008	40	0/-12	68	0/-13	15	15	11.80	17.00	0.185
6009	45	0/-12	75	0/-13	16	16	14.80	21.00	0.230
6010	50	0/-12	80	0/-13	16	16	16.20	22.00	0.258
6011	55	0/-15	90	0/-15	18	18	21.80	30.20	0.362
6012	60	0/-15	95	0/-15	18	18	24.20	31.50	0.385
6013	65	0/-15	100	0/-15	18	18	24.80	32.00	0.410
6014	70	0/-15	110	0/-15	20	20	30.50	38.50	0.575
6015	75	0/-15	115	0/-15	20	20	33.20	40.20	0.603
6016	80	0/-15	125	0/-18	22	22	39.80	47.50	0.821
6017	85	0/-15	130	0/-18	22	22	42.70	49.80	0.915

Dimensional data is for reference only. EBC assumes no liability with respect to errors or omissions.

6000 SERIES