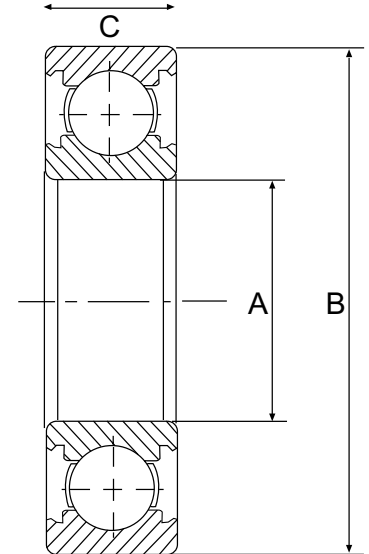
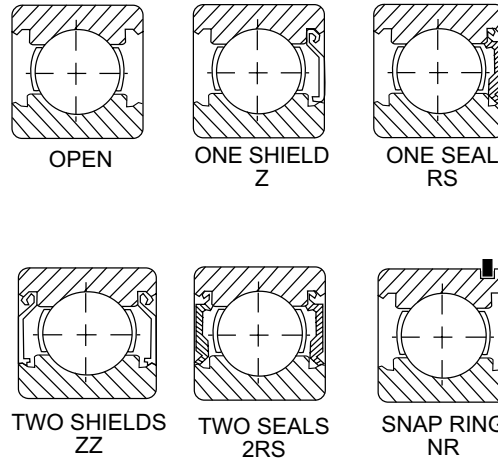


## MEDIUM SERIES RADIAL BALL BEARING



DESIGNATIONS	SUFFIX
Open	-
One Shield	Z
Two Shield	ZZ
One Seal	RS
Two Seals	2RS
Snap Ring	NR

Any combination of closures is available  
Snap rings may be ordered with any configuration

Part Number	A (I.D.)		B (O.D.)		C (Width)		Basic Static Load (kN)	Basic Dynamic Load (kN)	Weight (kg)
	Metric (mm)	Tolerance (µm)	Open (mm)	Tolerance (µm)	Open (mm)	Shields Seals (mm)			
6300	10	0/-8	35	0/-11	11	11	3.48	7.65	0.053
6301	12	0/-8	37	0/-11	12	12	4.15	9.72	0.061
6302	15	0/-8	42	0/-11	13	13	5.42	11.50	0.080
6303	17	0/-8	47	0/-11	14	14	6.58	13.50	0.109
6304	20	0/-10	52	0/-13	15	15	7.88	15.80	0.142
6305	25	0/-10	62	0/-13	17	17	11.50	22.20	0.219
6306	30	0/-10	72	0/-13	19	19	15.20	27.00	0.349
6307	35	0/-12	80	0/-13	21	21	19.20	33.20	0.455
6308	40	0/-12	90	0/-15	23	23	24.00	40.80	0.639
6309	45	0/-12	100	0/-15	25	25	31.80	52.80	0.873
6310	50	0/-12	110	0/-15	27	27	38.00	61.80	1.082
6311	55	0/-15	120	0/-15	29	29	44.80	71.50	1.367
6312	60	0/-15	130	0/-18	31	31	51.80	81.80	1.710
6313	65	0/-15	140	0/-18	33	33	60.50	93.00	2.100
6314	70	0/-15	150	0/-18	35	35	68.00	105.00	2.550
6315	75	0/-15	160	0/-25	37	37	76.80	112.00	3.050
6316	80	0/-15	170	0/-25	39	39	86.50	122.00	3.610
6317	85	0/-15	180	0/-25	41	41	88.00	125.00	4.350

Dimensional data is for reference only. EBC assumes no liability with respect to errors or omissions.

**EBC SERIES**