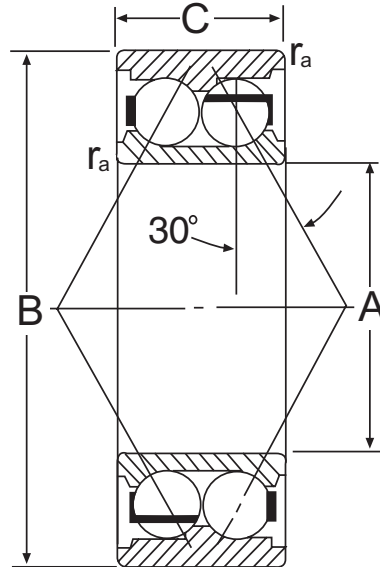




# DOUBLE ROW BALL BEARING

5200 LIGHT SERIES



| DESIGNATIONS | SUFFIX |
|--------------|--------|
| Open         | -      |
| One Shield   | Z      |
| Two Shield   | ZZ     |
| One Seal     | RS     |
| Two Seals    | 2RS    |
| Snap Ring    | NR     |

Contact Angle 30°

| Part Number | A (I.D.)    |                | B (O.D.)  |                | C (Width) | Limiting Speed (rpm) | Basic Static Load (kN) | Basic Dynamic Load (kN) | Weight (kg) |
|-------------|-------------|----------------|-----------|----------------|-----------|----------------------|------------------------|-------------------------|-------------|
|             | Metric (mm) | Tolerance (mm) | Open (mm) | Tolerance (mm) | (mm)      |                      |                        |                         |             |
| 5200        | 10          | -0.008         | 30        | -0.010         | 14.30     | 22000                | 4.6                    | 7.0                     | 0.054       |
| 5201        | 12          | -0.008         | 32        | -0.013         | 15.90     | 20000                | 5.5                    | 9.5                     | 0.064       |
| 5202        | 15          | -0.008         | 35        | -0.013         | 15.90     | 17000                | 6.4                    | 10.6                    | 0.068       |
| 5203        | 17          | -0.008         | 40        | -0.013         | 17.50     | 15000                | 8.1                    | 13.1                    | 0.100       |
| 5204        | 20          | -0.010         | 47        | -0.013         | 20.60     | 13000                | 11.3                   | 17.6                    | 0.172       |
| 5205        | 25          | -0.010         | 52        | -0.013         | 20.60     | 11000                | 13.1                   | 19.1                    | 0.186       |
| 5206        | 30          | -0.010         | 62        | -0.013         | 23.80     | 9500                 | 19.1                   | 27.0                    | 0.313       |
| 5207        | 35          | -0.013         | 72        | -0.013         | 27.00     | 8000                 | 25.7                   | 35.1                    | 0.481       |
| 5208        | 40          | -0.013         | 80        | -0.013         | 30.20     | 7200                 | 32.9                   | 43.2                    | 0.653       |
| 5209        | 45          | -0.013         | 85        | -0.015         | 30.20     | 6700                 | 33.8                   | 43.2                    | 0.708       |
| 5210        | 50          | -0.015         | 90        | -0.015         | 30.20     | 6000                 | 38.3                   | 45.9                    | 0.767       |
| 5211        | 55          | -0.015         | 100       | -0.015         | 33.30     | 5500                 | 44.1                   | 52.7                    | 1.057       |
| 5212        | 60          | -0.015         | 110       | -0.015         | 36.50     | 5000                 | 54.9                   | 64.8                    | 1.411       |
| 5213        | 65          | -0.015         | 120       | -0.015         | 38.10     | 3600                 | 66.2                   | 72.0                    | 1.580       |
| 5214        | 70          | -0.015         | 125       | -0.015         | 39.69     | 3200                 | 68.9                   | 74.7                    | 1.500       |
| 5215        | 75          | -0.015         | 130       | -0.015         | 41.28     | 3200                 | 76.5                   | 82.4                    | 1.700       |

Dimensional data is for reference only. EBC assumes no liability with respect to errors or omissions.

