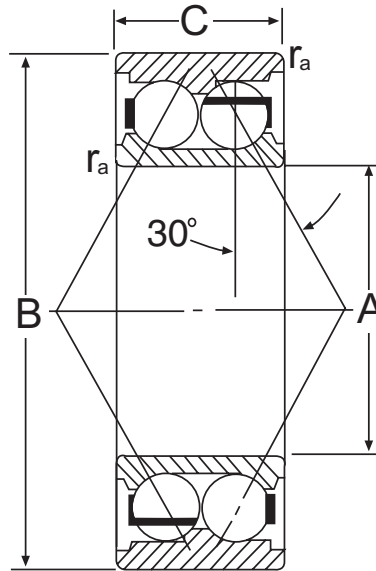




DOUBLE ROW BALL BEARING



| DESIGNATIONS | SUFFIX |
|--------------|--------|
| Open | - |
| One Shield | Z |
| Two Shield | ZZ |
| One Seal | RS |
| Two Seals | 2RS |
| Snap Ring | NR |

Contact Angle 30°

| Part Number | A (I.D.) | | B (O.D.) | | C (Width) (mm) | Limiting Speed (rpm) | Basic Static Load (kN) | Basic Dynamic Load (kN) | Weight (kg) |
|-------------|-------------|----------------|-----------|----------------|-------------------|----------------------|------------------------|-------------------------|-------------|
| | Metric (mm) | Tolerance (mm) | Open (mm) | Tolerance (mm) | | | | | |
| 5300 | 10 | -0.008 | 35 | -0.013 | 19.00 | 20000 | 5.8 | 10.5 | 0.098 |
| 5301 | 12 | -0.008 | 37 | -0.013 | 19.00 | 18000 | 6.7 | 11.8 | 0.102 |
| 5302 | 15 | -0.008 | 42 | -0.013 | 19.00 | 16000 | 9.0 | 14.7 | 0.169 |
| 5303 | 17 | -0.008 | 47 | -0.013 | 22.20 | 14000 | 11.3 | 18.7 | 0.187 |
| 5304 | 20 | -0.010 | 52 | -0.013 | 22.20 | 11000 | 13.5 | 20.9 | 0.231 |
| 5305 | 25 | -0.010 | 62 | -0.013 | 25.40 | 10000 | 18.0 | 27.0 | 0.364 |
| 5306 | 30 | -0.010 | 72 | -0.013 | 30.20 | 9500 | 25.7 | 37.4 | 0.587 |
| 5307 | 35 | -0.012 | 80 | -0.013 | 34.90 | 8500 | 31.1 | 45.9 | 0.787 |
| 5308 | 40 | -0.012 | 90 | -0.015 | 36.50 | 7500 | 40.5 | 55.8 | 1.058 |
| 5309 | 45 | -0.012 | 100 | -0.015 | 39.70 | 6700 | 45.9 | 61.2 | 1.444 |
| 5310 | 50 | -0.012 | 110 | -0.015 | 44.40 | 6000 | 55.8 | 73.4 | 1.889 |
| 5311 | 55 | -0.014 | 120 | -0.015 | 49.21 | 5500 | 70.2 | 91.8 | 2.000 |
| 5312 | 60 | -0.014 | 130 | -0.016 | 53.98 | 5000 | 88.2 | 112.5 | 2.600 |
| 5313 | 65 | -0.014 | 140 | -0.016 | 58.74 | 3600 | 106.2 | 166.6 | 3.300 |

Dimensional data is for reference only. EBC assumes no liability with respect to errors or omissions.

5300 MEDIUM SERIES

