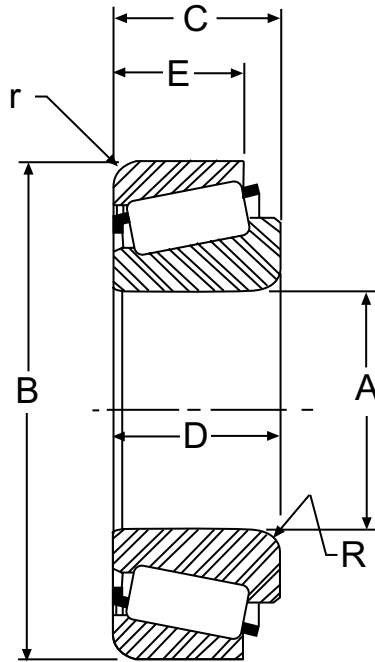


TAPERED ROLLER BEARING CUP AND CONE



PART NUMBER		INCH DIMENSIONS						
CONE	CUP	BORE A	OUTSIDE DIAMETER B	BEARING WIDTH C	CONE WIDTH D	CUP WIDTH E	MAX. SHAFT FILLET RADIUS R	MAX. HOUSING FILLET RADIUS r
LM11749	LM11710	.6875	1.5700	.5450	.5750	.4200	.05	.05
LM11949	LM11910	.7500	1.7810	.6100	.6550	.4750	.05	.05
M12649	M12610	.8437	1.9687	.6900	.7200	.5500	.05	.05
L44649	L44610	1.0625	1.9800	.5600	.5800	.4200	.14	.05
LM48548	LM48510	1.3750	2.5625	.7100	.7200	.5500	.14	.05
LM67048	LM67010	1.2500	2.3280	.6250	.6600	.4650	.14	.05
LM12749	LM12710	.8656	1.7810	.6100	.6550	.4750	.05	.05
L68149	L68110	1.3775	2.3280	.6250	.6600	.4700	.14	.05
L44643	L44610	1.0000	1.9800	.5600	.5800	.4200	.05	.05
L45449	L45410	1.1417	1.9800	.5600	.5800	.4200	.14	.05
LM12749	LM12711	.8656	1.8120	.6100	.6550	.4750	.05	.05
L68149	L68111	1.3775	2.3612	.6250	.6600	.4700	.14	.05
JL69349	JL69310	1.4961	2.4803	.6693	.6693	.5315	.14	.05
07100	07196	1.0000	1.9687	.5313	.5614	.3750	.04	.04

Dimensional data is for reference only. EBC assumes no liability with respect to errors or omissions.

TAPERED SERIES