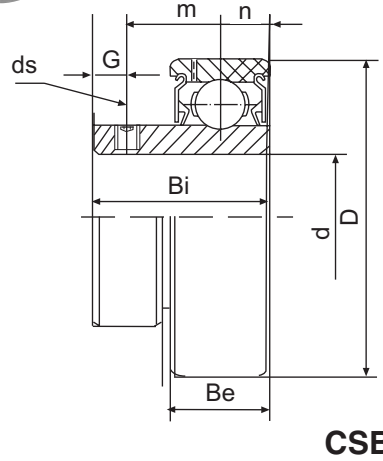
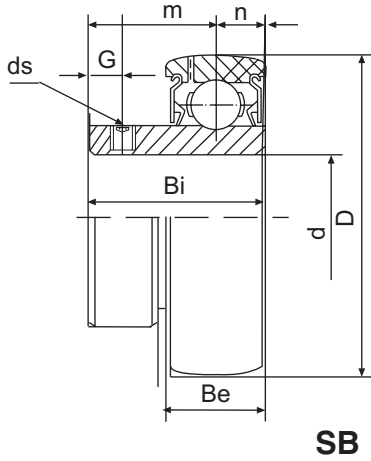




# INSERT BEARING SET SCREW LOCK



**SB & CSB 200 SERIES**

Part Number	Part Number	Shaft Diameter (d)		Dimensions (in.) or (mm)								Basic Load Rating (Kg)	Basic Static Load Rating (Kg)	Weight (Kgs)		
		(in.)	(mm)	D	Bi	Be	r	n	m	G	ds					
SB 201	CSB 201		12													
202	202		15	40	22	12	1	6	16	4.5	M5x0.8			0.07		
203	203		17													
SB 201-8	CSB 201-8	1/2														
202-9	202-9	9/16		0.5748	0.8661	0.4724	0.0393	0.2362	0.6300	0.1772	10-32	780	454	0.1		
202-10	202-10	5/8														
203-11	203-11	11/16														
SB 204	CSB 204		20	47	25	14	1.5	7	18	4.5	M6x0.75	1010	630	0.12		
SB 204-12	CSB 204-12	3/4		1.8504	0.9840	0.5512	0.0590	0.2756	0.7080	0.1772	1/4-28					
SB 205	CSB 205		25	52	27	15	1.5	7.5	19.5	5	M6x0.75					
SB 205-14	CSB 205-14	7/8										1100	710	0.17		
205-15	205-15	15/16		2.0472	1.0630	0.5906	0.0590	0.2953	0.7677	0.1969	1/4-28			0.18		
205-16	205-16	1												0.17		
206-17	206-17	1 1/16												0.16		
SB 206	CSB 206		30	62	30	16	1.5	8	22	5.5	M6x0.75			0.25		
SB 206-17	CSB 206-17	1 1/16										1550	1020	0.28		
206-18	206-18	1 1/8												0.26		
206-19	206-19	1 3/16		2.4409	1.1811	0.6299	0.0590	0.3150	0.8661	0.2170	1/4-28			0.25		
206-20	206-20	1 1/4												0.23		
SB 207	CSB 207		35	72	32	17	2	8.5	23.5	6	M8x1			0.37		
SB 207-20	CSB 207-20	1 1/4										2030	1400	0.41		
207-21	207-21	1 5/16												0.39		
207-22	207-22	1 3/8		2.8346	1.2598	0.6693	0.0787	0.3346	0.9252	0.2362	5/16-24			0.37		
207-23	207-23	1 7/16												0.35		
SB 208	CSB 208		40	80	34	18	2	9	25	8	M8x1	2300	1600	0.45		
SB 208-24	CSB 208-24	1 1/2		3.1496	1.3386	0.7087	0.0787	0.3543	0.9843	0.3150	5/16-24			0.48		
208-25	208-25	1 9/16												0.45		
SB 209	CSB 209		45	85	41.2	19	2	10.2	31	8	M8x1					
SB 209-26	CSB 209-26	1 5/8										2570	1810	0.8		
209-27	209-27	1 11/16		3.3465	1.6220	0.7480	0.0787	0.4016	1.2205	0.3150	5/16-24					
209-28	209-28	1 3/4														
SB 210	CSB 210		50	90	43.5	20	2	10.9	32.6	9	M8x1					
SB 210-30	CSB 210-30	1 7/8		3.5433	1.7126	0.7474	0.0787	0.4291	1.2835	0.3543	5/16-24	2760	2010	0.87		
210-31	210-31	1 15/16														
SB 211	CSB 211		55	100	45.3	21	2.5	11.8	33.5	10	M8x1					
SB 211-32	CSB 211-32	2		3.9370	1.7835	0.8268	0.0984	0.4646	1.3189	0.3937	5/16-24	3400	2550	1.1		
211-35	211-35	2 3/16														
SB 212	CSB 212		60	110	53.7	22	2.5	14.9	38.8	10	M10x1.25					
SB 212-36	CSB 212-36	2 1/4		4.3307	2.1142	0.8661	0.0984	0.5866	1.5276	0.3937	3/8-24	4100	3150	1.3		
212-39	212-39	2 7/16														

NOTE: Add Suffix "G" for Grease Groove i.e. SA205-16G  
Dimensional data is for reference only. EBC assumes no liability with respect to errors or omissions.



ISO 9002 Certified