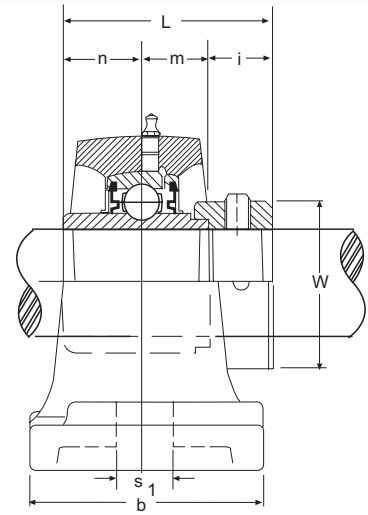
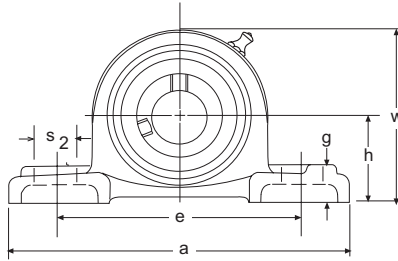


Two Bolt Pillow Block Eccentric Lock Low Base



HCLP 200 SERIES

Part Number	Shaft Diameter (d)		Dimensions (in) or (mm)													Bolt Used	Weight Lbs.					
	(in.)	(mm)	h	a	e	b	s ₁	s ₂	g	w	L	n	m	i	W							
HCLP201-12mm		12																				
HCLP202-15mm		15	31.75	127.0	95.3	38.1	11.1	15.9	14.3	64.3	43.5	17.0	17.0	9.5	32.0							
HCLP203-17mm		17																				
HCLP 201-08	1/2																				3/8	1.6
HCLP 202-09	9/16																					
HCLP 202-10	5/8		1 1/4	5	3 3/4	1 1/2	7/16	5/8	9/16	2 17/32	1.7126	.6693	.6693	.3740	1.260							
HCLP 203-11	11/16																					
HCLP204-20mm		20	31.75	127.0	95.3	38.1	11.1	15.9	14.3	64.3	43.5	17.0	17.0	9.5	32.0							
HCLP 204-12	3/4		1 1/4	5	3 3/4	1 1/2	7/16	5/8	9/16	2 17/32	1.7126	.6693	.6693	.3740	1.260						3/8	1.6
HCLP205-25mm		25	33.34	139.7	104.8	38.1	12.7	19.0	15.9	68.3	44.3	17.4	17.4	9.5	38.1							
HCLP 205-13	13/16																					
HCLP 205-14	7/8																					
HCLP 205-15	15/16		1 5/16	5 1/2	4 1/8	1 1/2	1/2	3/4	5/8	2 11/16	1.7441	.6850	.6850	.3740	1 1/2						3/8	2.1
HCLP 205-16	1																					
HCLP206-30mm		30	39.69	165.1	120.7	47.6	15.1	20.6	18.3	80.9	48.3	18.2	18.2	11.9	44.5							
HCLP 206-17	1 1/16																					
HCLP 206-18	1 1/8																				1/2	2.9
HCLP 206-19	1 3/16		1 9/16	6 1/2	4 3/4	1 7/8	19/32	13/16	23/32	3 3/16	1.9016	.7165	.7165	.4685	1 3/4							
HCLP 206-20	1 1/4 (s)																					
HCLP207-35mm		35	46.04	177.8	136.5	47.6	15.1	22.2	19.1	93.7	51.1	18.8	18.8	13.5	55.6							
HCLP 207-20	1 1/4																					
HCLP 207-21	1 5/16																					
HCLP 207-22	1 3/8		1 13/16	7	5 3/8	1 7/8	19/32	7/8	3/4	3 11/16	2.0118	.7402	.7402	.5314	2.190						1/2	4.2
HCLP 207-23	1 7/16																					
HCLP208-40mm		40	49.21	184.2	137.3	53.9	16.7	20.6	19.0	97.6	56.3	21.4	21.4	13.5	60.4							
HCLP 208-24	1 1/2		1 15/16	7 1/4	5 13/32	2 1/8	21/32	13/16	3/4	3 27/32	2.2165	.8425	.8425	.5315	2.377						1/2	4.9
HCLP 208-25	1 9/16																					
HCLP209-45mm		45	52.38	196.9	152.0	54.8	15.1	25.0	23.0	105.9	56.3	21.4	21.4	13.5	63.5							
HCLP 209-26	1 5/8																					
HCLP 209-27	1 11/16		2 1/16	7 3/4	5 3/4	2 5/32	19/32	63/64	29/32	4 11/64	2.2165	.8425	.8425	.5315	2 1/2						1/2	6.2
HCLP 209-28	1 3/4																					
HCLP210-50mm		50	55.56	212.7	165.1	57.9	15.1	25.0	23.0	112.7	62.7	24.6	24.6	13.5	69.9							
HCLP 210-29	1 13/16																					
HCLP 210-30	1 7/8																					
HCLP 210-31	1 15/16		2 3/16	8 3/8	6 1/2	2 9/32	19/32	63/64	29/32	4 7/16	2.4688	.9685	.9685	.5315	2 3/4						1/2	6.8
HCLP 210-32	2 (s)																					
HCLP211-55mm		55	61.91	234.9	180.9	69.5	19.1	28.6	23.8	125.0	71.4	27.7	27.7	16.0	76.2							
HCLP 211-32	2																					
HCLP 211-33	2 1/16																					
HCLP 211-34	2 1/8		2 7/16	9 1/4	7 1/8	2 47/64	3/4	1 1/8	15/16	4 59/64	2.8110	1.0906	1.0906	.6298	3						5/8	11.7
HCLP 211-35	2 3/16																					
HCLP212-60mm		60	68.26	247.7	193.7	69.9	19.1	28.6	28.6	138.1	77.8	30.9	30.9	16.0	84.1							
HCLP 212-36	2 1/4																					
HCLP 212-37	2 5/16																					
HCLP 212-38	2 3/8		2 11/16	9 3/4	7 5/8	2 3/4	3/4	1 1/8	1 1/8	5 7/16	3.0630	1.2165	1.2165	.6300	3 5/16						5/8	11.7
HCLP 212-39	2 7/16																					
HCLP213-65mm		65	68.26	247.7	193.7	69.9	19.1	30.2	26.9	138.1	85.7	34.1	34.1	17.5	86.0							
HCLP 213-40	2 1/2		2 11/16	9 3/4	7 5/8	2 3/4	3/4	1 3/16	1 1/16	5 7/16	3.3740	1.3425	1.3425	.6890	3.3858						3/4	14.1
HCLP 213-41	2 9/16																					

Dimensional data is for reference only. EBC assumes no liability with respect to errors or omissions.

ISO 9002 Certified

