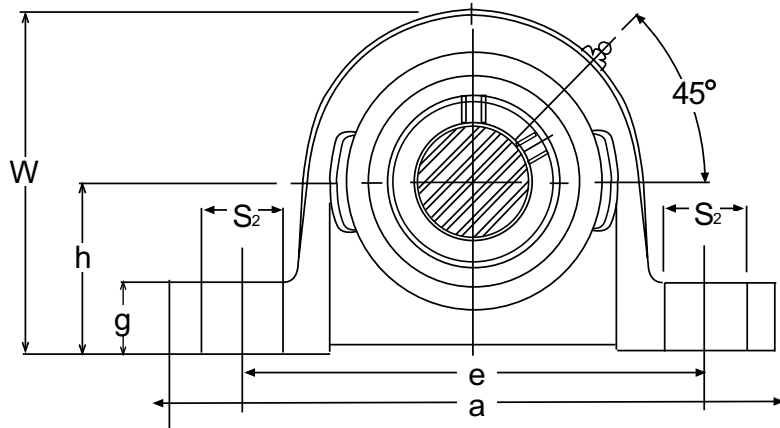
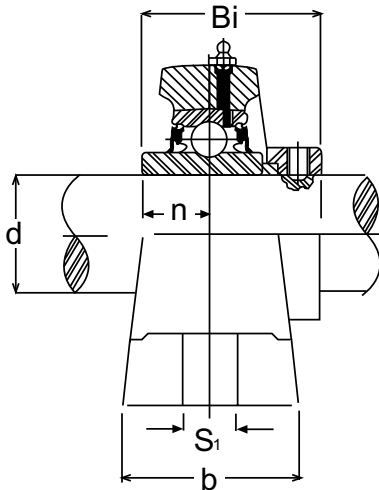


ALL STAINLESS STEEL PILLOW BLOCK SET SCREW LOCK



Part Number	Shaft Diameter (d)		Dimensions (in.) or (mm)										Bolt Used		Weight Lbs.	
	(in.)	(mm)	h	a	e	b	S2	S1	g	W	Bi	n	(in.)	(mm)		
SUCSP 204	3/4	20	33.3	127	95	38	19	13	13	65	31	12.7	3/8	M10	1.54	
SUCSP 204-12			1 5/16	5	3 3/4	1 1/2	3/4	1/2	1/2	2 9/16	1.2205	0.5000				
SUCSP 205	1	25	36.5	140	105	38	19	13	15	71	34.1	14.3	3/8	M10	1.87	
SUCSP 205-16			1 7/16	5 1/2	4 1/8	1 1/2	3/4	1/2	19/32	2 25/32	1.3425	0.5630				
SUCSP 206	1 3/16	30	42.9	165	121	48	20	17	17	84	38.1	15.9	1/2	M14	2.64	
SUCSP 206-19			1 11/16	6 1/2	4 3/4	1 7/8	25/32	21/32	21/32	3 5/16	1.5000	0.6260				
SUCSP 206-20			1 1/4													
SUCSP 207	1 1/4	35	47.6	167	127	48	20	17	19	93	42.9	17.5	1/2	M14	3.74	
SUCSP 207-20			1 7/8	6 9/16	5	1 7/8	25/32	21/32	3/4	3 21/32	1.6890	0.6890				
SUCSP 207-22			1 3/8													
SUCSP 207-23			1 7/16													
SUCSP 208	1 1/2	40	49.2	184	137	54	20	17	20	98	49.2	19	1/2	M14	4.62	
SUCSP 208-24			1 15/16	7 1/4	5 13/32	2 1/8	25/32	21/32	25/32	3 27/32	1.9370	0.7480				
SUCSP 209	1 3/4	45	54	190	146	54	20	17	20	106	49.2	19	1/2	M14	5.28	
SUCSP 209-28			2 1/8	7 15/32	5 3/4	2 1/8	25/32	21/32	25/32	4 3/16	1.9370	0.7480				
SUCSP 210	1 15/16	50	57.2	206	159	60	22	20	22	114	51.6	19	5/8	M16	6.38	
SUCSP 210-31			2 1/4	8 1/8	6 1/4	2 3/8	7/8	25/32	7/8	4 31/64	2.0315	0.9685				
SUCSP 210-32			2													
SUCSP 211	2 3/16	55	63.5	219	171	60	22	20	22	125	55.6	22.2	5/8	M16	8.14	
SUCSP 211-35			2 1/2	8 5/8	6 23/32	2 3/8	7/8	25/32	7/8	4 29/32	2.1890	0.8740				
SUCSP 212	2 7/16	60	69.8	241	184	70	25	20	25	138	65.1	25.4	5/8	M16	10.78	
SUCSP 212-39			2 3/4	9 1/2	7 1/4	2 3/4	1	25/32	1	5 7/16	2.5630	1.000				

Dimensional data is for reference only. EBC assumes no liability with respect to errors or omissions.

SUCSP 200 SERIES