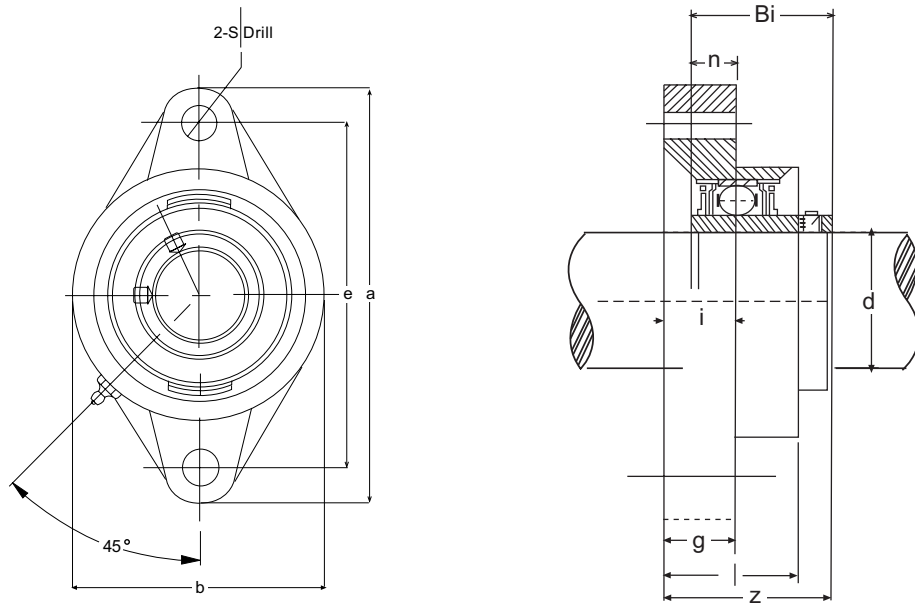


**ALL STAINLESS STEEL  
TWO BOLT FLANGE UNIT  
SET SCREW LOCK**

**SUCSFL 200 SERIES**



Part Number	Shaft Diameter (d)		Dimensions (in) or (mm)										Bolt Used		Weight Lbs.
	(in.)	(mm)	a	e	i	g	l	s	b	z	Bi	n	(in.)	(mm)	
SUCSFL 204		20	113	90	15	11	25.5	12	60	33.3	31	12.7		M10	1.04
SUCSFL 204-12	3/4		4 29/64	3 35/64	19/32	7/16	1	15/32	2 23/64	1 5/16	1.2205	0.5000	3/8	M14	1.39
SUCSFL 205		25	130	99	16	13	27	16	68	35.8	34.1	14.3		M14	1.39
SUCSFL 205-16	1		5 1/8	3 57/64	5/8	33/64	1 1/16	5/8	2 43/64	1 13/32	1.3425	0.5630	1/2	M14	1.87
SUCSFL 206		30	148	117	18	13	31	16	80	40.2	38.1	15.9		M14	1.87
SUCSFL 206-19	1 3/16		5 53/64	4 39/64	45/64	33/64	1 7/32	5/8	3 5/32	1 37/64	1.5000	0.6260	1/2	M14	2.64
SUCSFL 206-20	1 1/4														
SUCSFL 207		35	161	130	19	16	34	16	90	44.4	42.9	17.5		M14	3.52
SUCSFL 207-20	1 1/4		6 11/32	5 1/8	3/4	5/8	1 11/32	5/8	3 35/64	1 3/4	1.6890	0.6890	1/2	M14	4.18
SUCSFL 207-22	1 3/8														
SUCSFL 207-23	1 7/16														
SUCSFL 208		40	175	144	21	16	36	16	100	51.2	49.2	19		M14	5.06
SUCSFL 208-24	1 1/2		6 57/64	5 43/64	53/64	5/8	1 27/64	5/8	3 15/16	2 1/64	1.9370	0.7480	1/2	M14	5.06
SUCSFL 209		45	188	148	22	16	38	16	108	52.2	49.2	19		M14	5.06
SUCSFL 209-28	1 3/4		7 13/32	5 53/64	55/64	5/8	1 1/2	5/8	4 1/4	2 1/16	1.9370	0.7480	1/2	M16	5.06
SUCSFL 210		50	197	157	22	16	40	19	115	54.6	51.6	19		M16	5.06
SUCSFL 210-31	1 15/16		7 3/4	6 3/16	55/64	5/8	1 37/64	3/4	4 17/32	2 5/32	2.0315	0.7480	5/8	M16	5.06
SUCSFL 210-32	2														

Dimensional data is for reference only. EBC assumes no liability with respect to errors or omissions.

