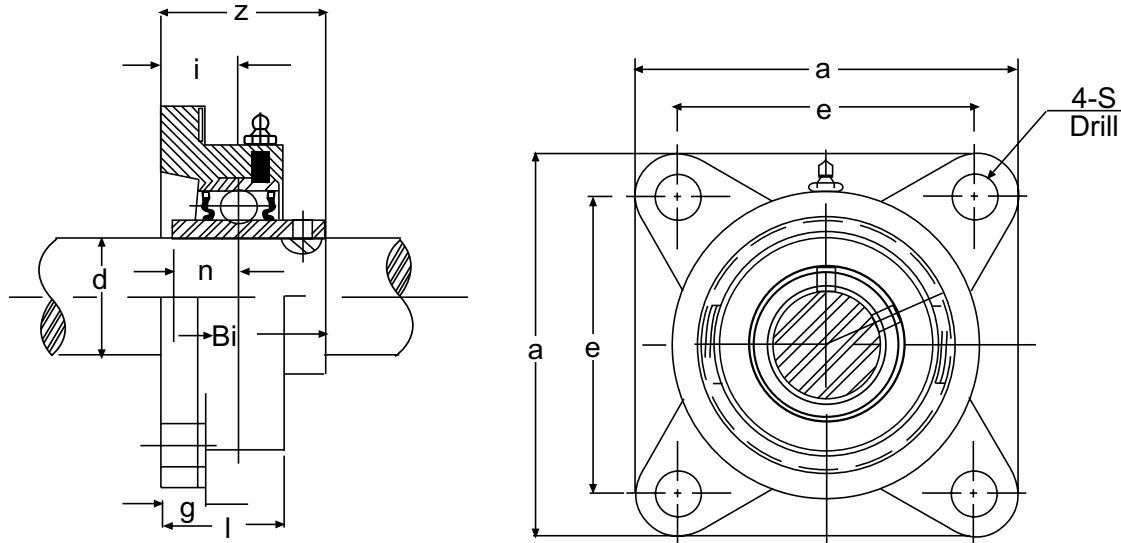


ALL STAINLESS STEEL FOUR BOLT FLANGE UNIT SET SCREW LOCK



Part Number	Shaft Diameter (d)		Dimensions (in) or (mm)									Bolt Used		Weight Lbs.
	(in.)	(mm)	a	e	i	g	l	s	z	Bi	n	(in.)	(mm)	
SUCSF 204		20	86	64	15	11	25	12	33.3	31	12.7		M10	1.32
SUCSF 204-12	3/4		3 3/8	2 1/2	19/32	7/16	1	15/32	1 5/16	1.2205	0.5000	3/8		
SUCSF 205		25	95	70	16	13	27	12	35.8	34.1	14.3		M10	1.90
SUCSF 205-16	1		3 3/4	2 3/4	5/8	1/2	1 1/16	15/32	1 13/32	1.3425	0.5630	3/8		
SUCSF 206		30	108	83	18	13	31	12	40.2	38.1	15.9		M10	2.42
SUCSF 206-19	1 3/16		4 1/4	3 1/4	45/64	1/2	1 7/32	15/32	1 19/32	1.5000	0.6260	3/8		
SUCSF 206-20	1 1/4													
SUCSF 207		35	117	92	19	15	34	14	44.4	42.9	17.5		M12	
SUCSF 207-20	1 1/4													
SUCSF 207-22	1 3/8		4 19/32	3 5/8	3/4	19/32	1 11/32	35/64	1 3/4	1.6890	0.6890	7/16		3.52
SUCSF 207-23	1 7/16													
SUCSF 208		40	130	102	21	15	36	16	51.2	49.2	19		M14	4.18
SUCSF 208-24	1 1/2		5 1/8	4 1/64	53/64	19/32	1 13/32	5/8	2 1/64	1.9370	0.7480	1/2		
SUCSF 209		45	137	105	22	16	38	16	52.2	49.2	19		M14	5.28
SUCSF 209-28	1 3/4		5 13/32	4 1/8	55/64	5/8	1 1/2	5/8	2 1/16	1.9370	0.7480	1/2		
SUCSF 210		50	143	111	22	16	40	16	54.6	51.6	19		M14	5.72
SUCSF 210-31	1 15/16		5 5/8	4 3/8	55/64	5/8	1 9/16	5/8	2 5/32	2.0315	0.9685	1/2		
SUCSF 210-32	2													
SUCSF 211		55	162	130	25	18	43	19	58.4	55.6	22.2		M16	7.70
SUCSF 211-35	2 3/16		6 3/8	5 1/8	63/64	23/32	1 11/16	3/4	2 5/16	2.1890	0.8740	5/8		
SUCSF 212		60	175	143	29	18	48	19	68.7	65.1	25.4		M16	9.24
SUCSF 212-39	2 7/16		6 7/8	5 5/8	1 9/64	23/32	1 7/8	3/4	2 23/32	2.5630	1.000	5/8		

Dimensional data is for reference only. EBC assumes no liability with respect to errors or omissions.

SUCSF 200 SERIES