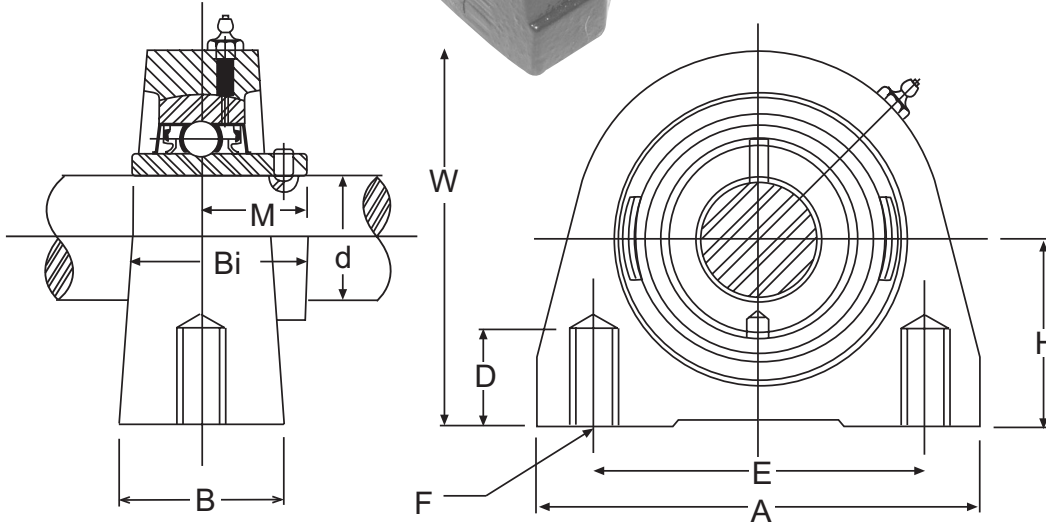




TAPPED BASE PILLOW BLOCK



| Part Number | Shaft Diameter (d) | | Dimensions (in) or (mm) | | | | | | | | | Weight Lbs. |
|-------------|--------------------|------|-------------------------|-------|-------|-------|---------|----------------|-----------------|--------|--------|-------------|
| | (in.) | (mm) | H | A | E | B | W | F-Tapped Holes | D-Min Tap Depth | M | Bi | |
| UCPA 203 | | 17 | | | | | | | | | | |
| UCPA 204 | | 20 | | | | | | | | | | |
| UCPA 201-08 | 1/2 | | 33.3 | 73 | 50.8 | 38 | 65 | UNC | 13 | 18.3 | 31.0 | 1.4 |
| UCPA 202-10 | 5/8 | | 1 5/16 | 2 7/8 | 2 | 1 1/2 | 2 9/16 | 3/8"-16 | 1/2 | 0.7205 | 1.2205 | |
| UCPA 204-12 | 3/4 | | | | | | | | | | | |
| UCPA 205 | | 25 | | | | | | | | | | |
| UCPA 205-14 | 7/8 | | 36.5 | 76 | 50.8 | 38 | 71 | UNC | 13 | 19.7 | 34.0 | 1.6 |
| UCPA 205-15 | 15/16 | | 1 7/16 | 3 | 2 | 1 1/2 | 2 13/16 | 1/4"-16 | 1/2 | 0.7756 | 1.3386 | |
| UCPA 205-16 | 1 | | | | | | | | | | | |
| UCPA 206 | | 30 | | | | | | | | | | |
| UCPA 206-17 | 1 1/16 | | 42.9 | 102 | 76.2 | 38 | 86 | UNC | 16 | 22.2 | 38.1 | 2.6 |
| UCPA 206-18 | 1 1/8 | | | | | | | | | | | |
| UCPA 206-19 | 1 3/16 | | 1 11/16 | 4 | 3 | 1 1/2 | 3 3/8 | 7/16"-14 | 5/8 | 0.8740 | 1.5000 | |
| UCPA 206-20 | 1 1/4S | | | | | | | | | | | |
| UCPA 207 | | 35 | | | | | | | | | | |
| UCPA 207-20 | 1 1/4 | | 47.6 | 108 | 82.6 | 48 | 95 | UNC | 19 | 25.4 | 42.9 | 3.6 |
| UCPA 207-21 | 1 5/16 | | | | | | | | | | | |
| UCPA 207-22 | 1 3/8 | | 1 7/8 | 4 1/4 | 3 1/4 | 1 7/8 | 3 3/4 | 1/2"-13 | 3/4 | 1.0000 | 1.6890 | |
| UCPA 207-23 | 1 7/16 | | | | | | | | | | | |
| UCPA 208 | | 40 | | | | | | | | | | |
| UCPA 208-24 | 1 1/2 | | 1 15/16 | 4 5/8 | 3 1/2 | 1 7/8 | 3 15/16 | UNC | 19 | 30.2 | 49.2 | 4.0 |
| UCPA 208-25 | 1 9/16 | | | | | | | 1/2"-13 | 3/4 | 1.1890 | 1.9370 | |
| UCPA 209 | | 45 | | | | | | | | | | |
| UCPA 209-26 | 1 5/8 | | 54.0 | 127 | 95.3 | 51 | 108 | UNC | 19 | 30.2 | 49.2 | 5.0 |
| UCPA 209-27 | 1 11/16 | | 2 1/8 | 5 | 3 3/4 | 2 | 4 1/4 | 1/2"-13 | 3/4 | 1.1890 | 1.9370 | |
| UCPA 209-28 | 1 3/4 | | | | | | | | | | | |
| UCPA 210 | | 50 | | | | | | | | | | |
| UCPA 210-30 | 1 7/8 | | 57.2 | 140 | 101.6 | 51 | 117 | UNC | 22 | 32.6 | 51.6 | 5.9 |
| UCPA 210-31 | 1 15/16 | | 2 1/4 | 5 1/2 | 4 | 2 | 4 5/8 | 5/8"-11 | 7/8 | 1.2835 | 2.0315 | |
| UCPA 210-32 | 2S | | | | | | | | | | | |

Dimensional data is for reference only. EBC assumes no liability with respect to errors or omissions.

UCPA 200 SERIES

