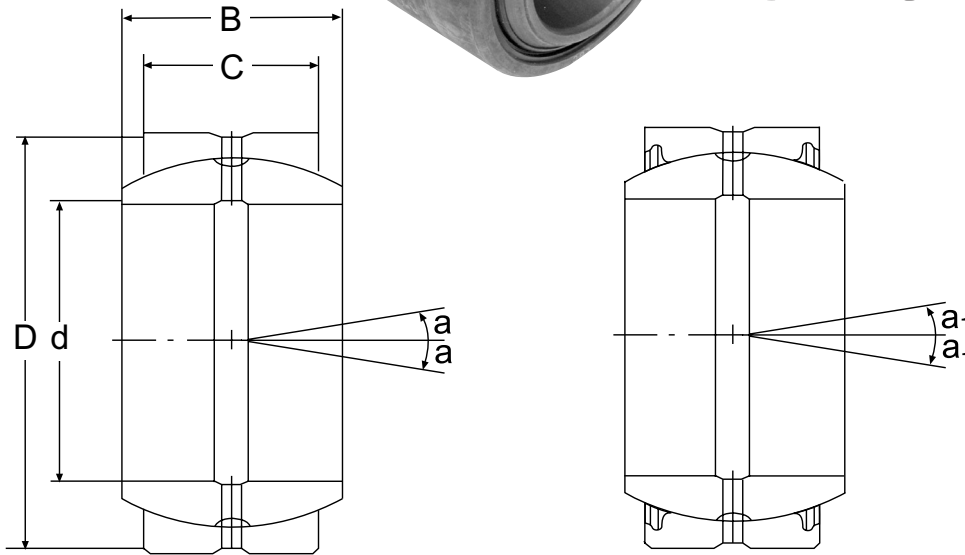




SPHERICAL PLAIN BEARING INCH SIZES



Part Number		Dimensions (Inch)				Angle of Tilt (°)	Load Ratings (kN)		Weight Lbs.
Without Seals	With Seals	d	D	B	C	a	Dynamic	Static	
GEZ 008 ES		0.500	0.8750	0.437	0.375	6	13	41	0.044
GEZ 010 ES		0.625	1.0625	0.547	0.469	6	22	65	0.077
GEZ 012 ES		0.750	1.2500	0.656	0.562	6	31	95	0.120
GEZ 014 ES		0.875	1.4375	0.756	0.656	6	42	127	0.190
GEZ 100 ES	GEZ 100 ES-2RS	1.000	1.6250	0.875	0.750	6	56	166	0.260
GEZ 104 ES	GEZ 104 ES-2RS	1.250	2.0000	1.093	0.937	6	86	260	0.510
GEZ 106 ES	GEZ 106 ES-2RS	1.375	2.1875	1.187	1.031	6	102	310	0.770
GEZ 108 ES	GEZ 108 ES-2RS	1.500	2.4375	1.312	1.125	6	125	375	0.930
GEZ 112 ES	GEZ 112 ES-2RS	1.750	2.8125	1.531	1.312	6	170	510	1.410
GEZ 200 ES	GEZ 200 ES-2RS	2.000	3.1875	1.750	1.500	6	224	670	2.050
GEZ 204 ES	GEZ 204 ES-2RS	2.250	3.5625	1.969	1.687	6	280	850	2.870
GEZ 208 ES	GEZ 208 ES-2RS	2.500	3.9375	2.187	1.875	6	355	1060	4.080
GEZ 212 ES	GEZ 212 ES-2RS	2.750	4.3750	2.406	2.062	6	415	1250	5.290
GEZ 300 ES	GEZ 300 ES-2RS	3.000	4.7500	2.625	2.250	6	500	1500	6.830
GEZ 304 ES	GEZ 304 ES-2RS	3.250	5.1250	2.844	2.437	6	585	1760	8.380
GEZ 308 ES	GEZ 308 ES-2RS	3.500	5.5000	3.062	2.625	6	680	2040	10.600
GEZ 312 ES	GEZ 312 ES-2RS	3.750	5.8750	3.281	2.812	6	780	2360	12.800
GEZ 400 ES	GEZ 400 ES-2RS	4.000	6.2500	3.500	3.000	6	900	2650	15.400
GEZ 408 ES	GEZ 408 ES-2RS	4.500	7.0000	3.937	3.375	6	1120	3400	21.600
GEZ 412 ES	GEZ 412 ES-2RS	4.750	7.3750	4.156	3.562	6	1250	3700	25.400
GEZ 500 ES	GEZ 500 ES-2RS	5.000	7.7500	4.375	3.750	6	1400	4150	29.800
GEZ 600 ES	GEZ 600 ES-2RS	6.000	8.7500	4.750	4.125	6	1730	5200	38.600

Dimensional data is for reference only. EBC assumes no liability with respect to errors or omissions.

GEN SERIES

