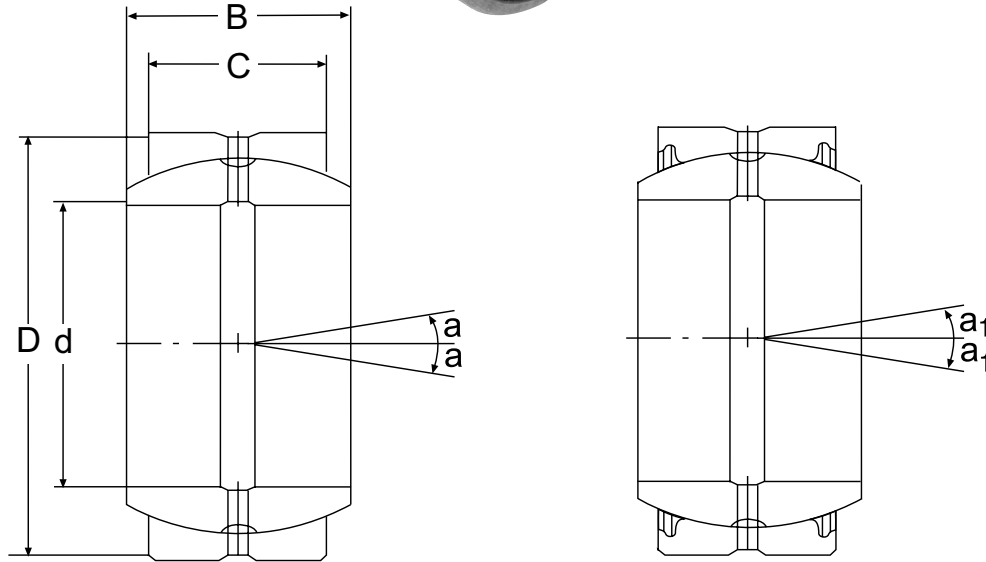




SPHERICAL PLAIN BEARING

METRIC SIZES



Part Number		Dimensions (Metric)				Angle of Tilt (°)		Load Ratings (kN)		Weight Kg
Without Seals	With Seals	d	D	B	C	a	a1	Dynamic	Static	
GE 15 ES	GE 15 ES-2RS	15	26	12	9	8	5	17	85	0.027
GE 17 ES	GE 17 ES-2RS	17	30	14	10	10	7	21	106	0.041
GE 20 ES	GE 20 ES-2RS	20	35	16	12	9	6	30	146	0.066
GE 25 ES	GE 25 ES-2RS	25	42	20	16	7	4	48	240	0.119
GE 30 ES	GE 30 ES-2RS	30	47	22	18	6	4	62	310	0.153
GE 35 ES	GE 35 ES-2RS	35	55	25	20	6	4	80	400	0.233
GE 40 ES	GE 40 ES-2RS	40	62	28	22	7	4	100	500	0.306
GE 45 ES	GE 45 ES-2RS	45	68	32	25	7	4	127	640	0.427
GE 50 ES	GE 50 ES-2RS	50	75	35	28	6	4	156	780	0.546
GE 60 ES	GE 60 ES-2RS	60	90	44	36	6	3	245	1220	1.040
GE 70 ES	GE 70 ES-2RS	70	105	49	40	6	4	315	1560	1.550
GE 80 ES	GE 80 ES-2RS	80	120	55	45	6	4	400	2000	2.310
GE 90 ES	GE 90 ES-2RS	90	130	60	50	5	3	490	2450	2.750
GE 100 ES	GE 100 ES-2RS	100	150	70	55	7	5	610	3050	4.450
GE 110 ES	GE 110 ES-2RS	110	160	70	55	6	4	655	3250	4.820
GE 120 ES	GE 120 ES-2RS	120	180	85	70	6	4	950	4750	8.050
GE 140 ES	GE 140 ES-2RS	140	210	90	70	7	5	1080	5400	11.020
GE 160 ES	GE 160 ES-2RS	160	230	105	80	8	6	1370	6800	14.010
GE 180 ES	GE 180 ES-2RS	180	260	105	80	6	4	1530	7650	18.650
GE 200 ES	GE 200 ES-2RS	200	290	130	100	7	4	2120	10600	28.000
GE 220 ES	GE 220 ES-2RS	220	320	135	100	8	5	2320	11600	35.510

Dimensional data is for reference only. EBC assumes no liability with respect to errors or omissions.

GE SERIES

