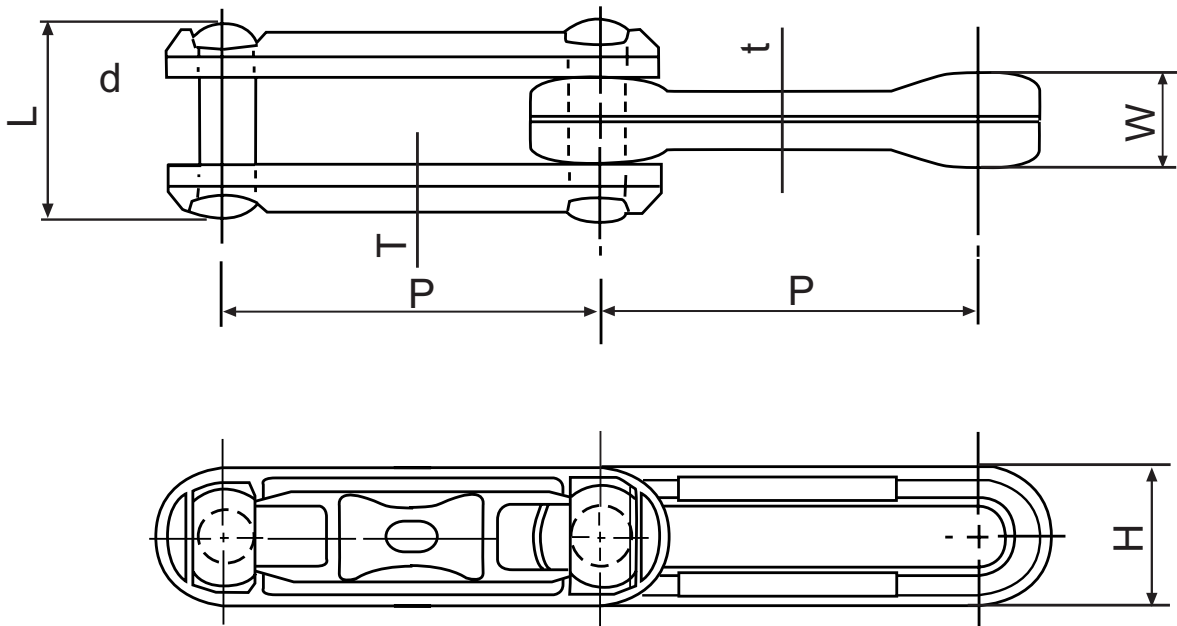




DROP FORGED RIVETLESS CHAIN



Chain Number	Pitch P	Roller		Pin Dia. d.	Plate		Overall Width L	Average Ultimate Strength	Average Weight Per Foot
		Dia. D	Width W		Height H	Thickness T			
		X348	3.031		0.50	0.75			
X458	4.031	0.63	1.00	0.63	1.38	0.47	2.19	31,000	3.20
X678	6.031	0.81	1.28	0.81	2.00	0.72	3.03	85,000	6.70

Dimensional data is for reference only. EBC assumes no liability with respect to errors or omissions.

DROP FORGED

